

C.I.P.

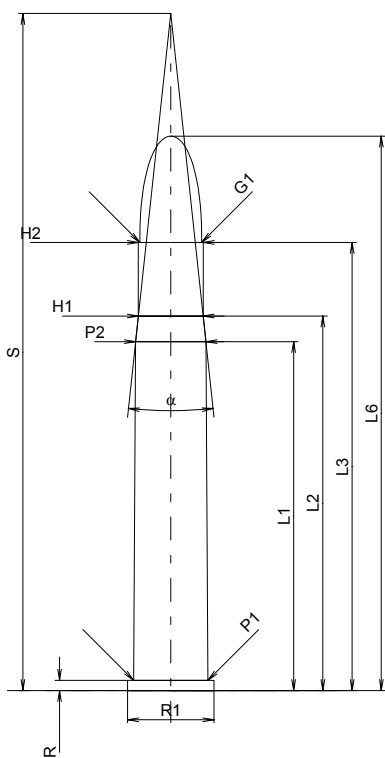
475 No 2 N.E. 3"1/2

TAB. II

Date 84-06-14

Revision 02-05-15

Country of Origin: GB



CARTRIDGE MAXI

Lengths

L1*	=	69.21
L2*	=	74.29
L3 ¹⁾	=	88.90
L4	=	
L5	=	
L6	=	109.98

Case Head

R ¹⁾	=	2.03	-0.25
R1	=	17.14	
R3	=		
E	=		
E1	=		
e min	=		
delta	=		
f	=		
beta	=		

Powder Chamber

P1	=	14.73
P2*	=	13.97

Junction Cone

alpha	=	12°14'48"
S	=	134.32
r1 min	=	
r2	=	

Collar

H1*	=	12.88
H2 ¹⁾	=	12.88

Projectile

G1 ¹⁾	=	12.27
G2	=	
F	=	
L3+G ¹⁾	=	96.54

Pressures (Energies)

Method Transducer

Pmax	=	2750 bar
PK	=	3163 bar
PE	=	3440 bar
M	=	25.00
EE	=	6957 Joule

Miscellaneous Dimensions

Fe ¹⁾	=	0.15
delta L	=	

CHAMBER MINI

Lengths

L1*	=	69.24
L2*	=	74.32
L3 ¹⁾	=	89.15

Breech

R ¹⁾	=	2.06
R1	=	17.40
R2	=	
R3	=	
r	=	

Powder Chamber

E	=	
P1 ¹⁾	=	14.76
P2*	=	14.00

Junction Cone

alpha	=	12°21'32"
S	=	133.89
r1 max	=	
r2	=	

Collar

H1*	=	12.90
H2 ¹⁾	=	12.90

Commencement of Rifling

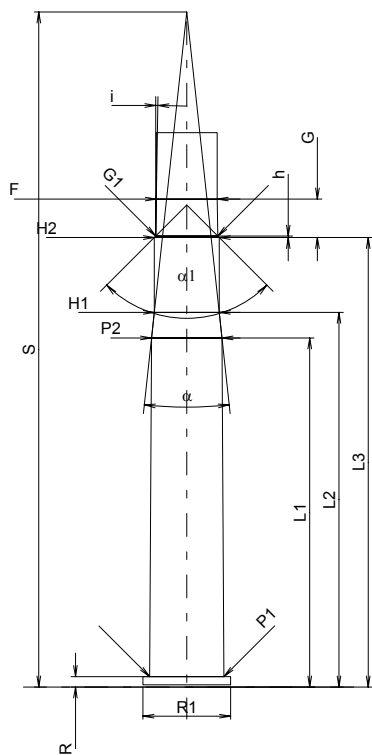
G1 ¹⁾ *	=	12.30
G ¹⁾ *	=	7.64
alpha1	=	90°
h*	=	0.30
s	=	
i ¹⁾	=	0°56'12"
w	=	

Barrel

F ¹⁾ *	=	12.06
Z ¹⁾	=	12.37

Grooves

b	=	2.67
N	=	7
u	=	457.00
Q	=	117.15 mm ²



Scale 1:1.5

Dimensions in << mm >>
Dimensions and Tolerances for Proof Barrels
see Appendix CR 1.

Notes: 1) Check for safety reasons
* Basic dimensions